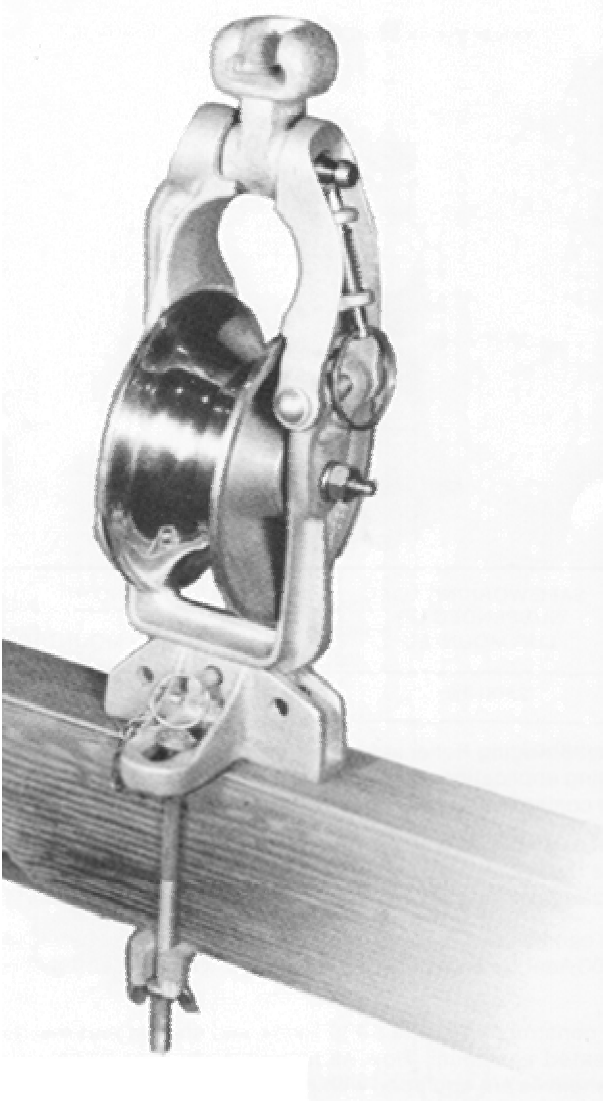
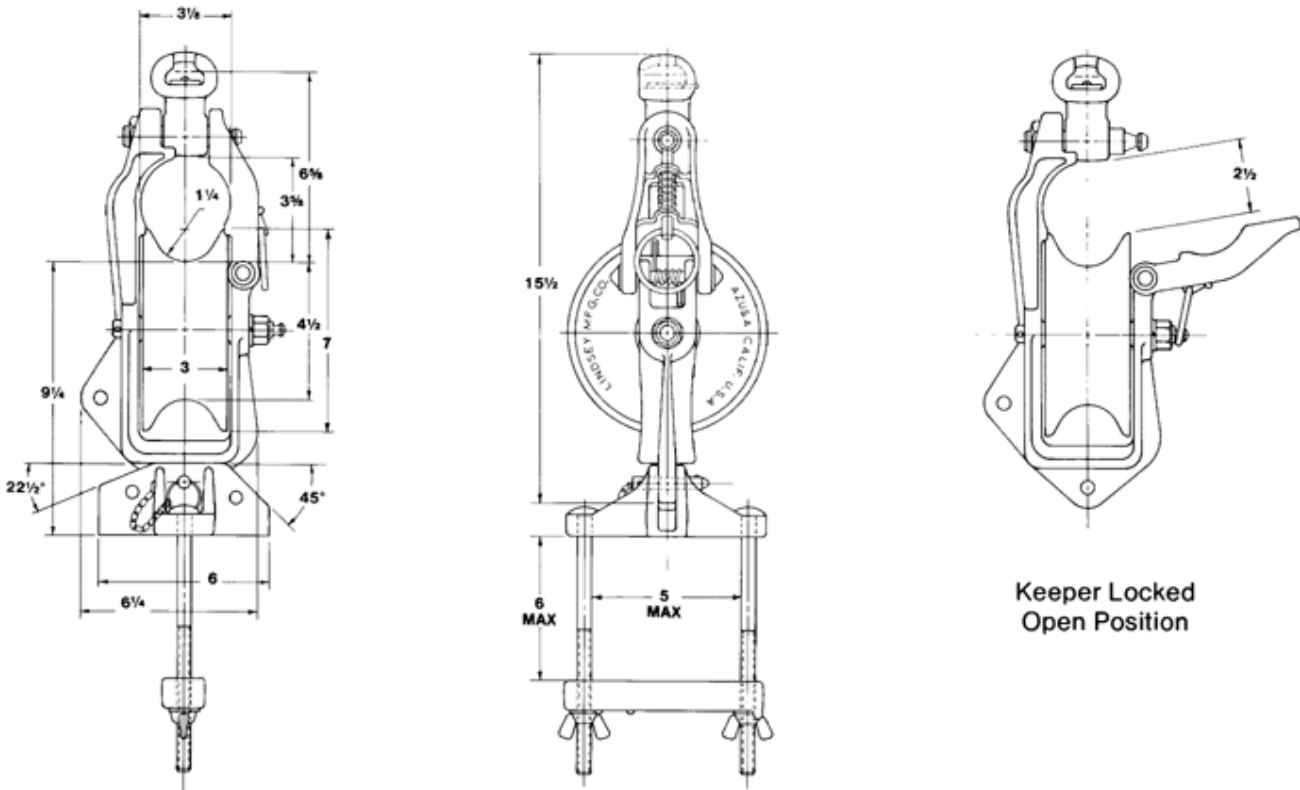


Universal Stringing Rollers

5930 Universal Stringing Roller & Applications

PROVEN DESIGN	DEPENDABLE QUALITY	VERSATILE
		

5930 UNIVERSAL STRINGING ROLLER, 5900 UNIVERSAL CROSSARM ADAPTER



MAXIMUM DIA. OF CONDUCTOR OR SPLICE	SAFE WORKING LOAD SUSPENDED OR LUG MOUNTED	ULTIMATE STRENGTH		ROLLER WEIGHT	
		SUSPENDED	LUG MOUNTED	5930 ONLY	5930 with 5900
2 in.	2500 lbs.	12,000 lbs.	7500 lbs.	81/2	11 V2

The Lindsey 5930 Universal Stringing Roller is a multi-purpose roller with optional adapters and fittings for a wide variety of conductor stringing applications. The 5930 is a versatile and dependable roller which is not only a cost effective tool, but it is also compatible with most stringing equipment and methods in use today.

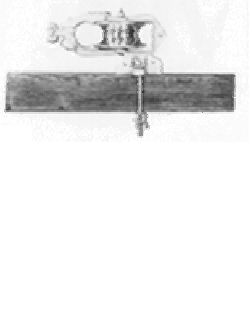
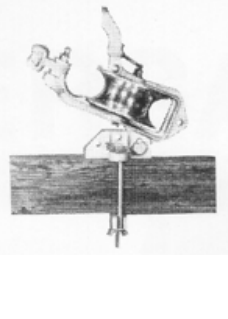
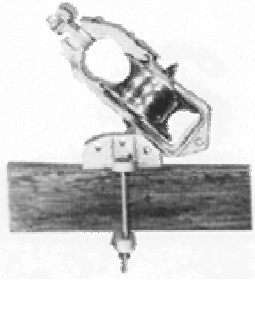
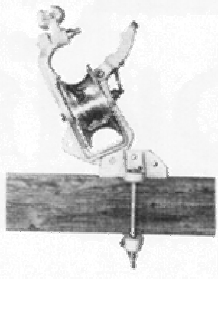
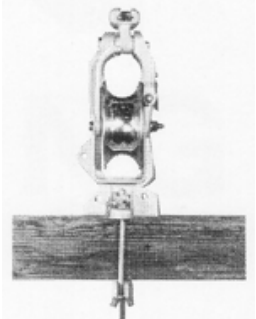
The 5930 is lightweight, yet extremely rugged. The positive locking, spring loaded keeper is on the same side as the hot stick ring, which allows the roller to be worked from one side for easy hot stick operation. The keeper may be latched in the open or closed position.

The 5930 Universal Roller can be used in five different positions when mounted with the optional 5900 Universal Crossarm Adapter. The 5900 Adapter is designed to fit up to a 5"x 6" crossarm, and must be ordered separately from the 5930.

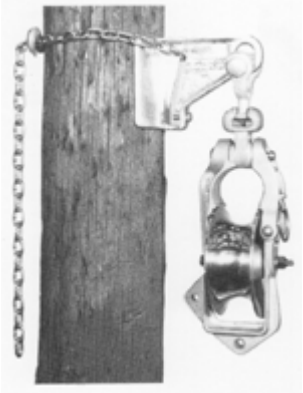
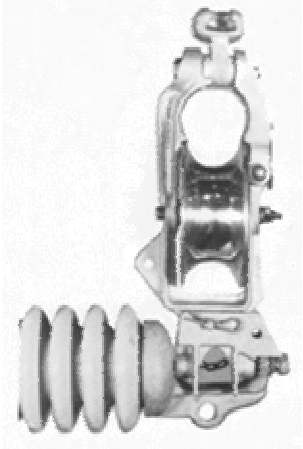
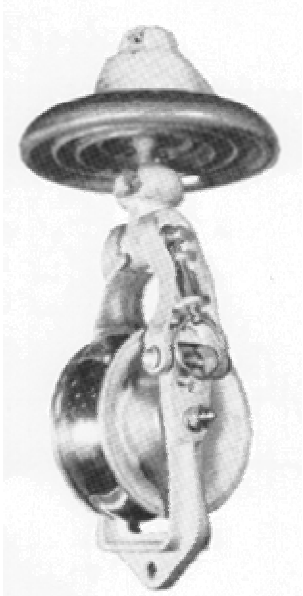
The materials used in the construction of the 5930 frame and sheave and the 5900 crossarm bracket are high strength A356-T6 heat treated aluminum alloy. All ferrous parts have been zinc or cadmium plated to insure corrosion protection. The sheaves are equipped with precision ground, deep groove, shielded ball bearings which have been lubricated for the life of the roller under normal conditions.

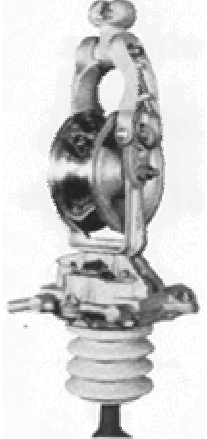
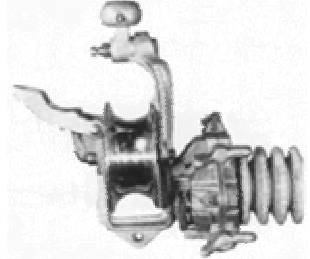




Be sure to specify the type of lining, polished aluminum, urethane or neoprene, when ordering. Red urethane or black neoprene are permanently bonded for maximum durability. Both provide a resilient cushion for the conductor.

5930 AND 5900 APPLICATIONS

				
90°	67 1/2°	45°	22 1/2°	Vertical

5930 OTHER APPLICATIONS

		
5930 with 3089 Y-Clevis Ball and 5382 Pole Mount Bracket	5930 with 5908 Trunion Adapter	5930 in Suspension

		 3089  3075	 3302  3311
5930 with 5927 Adjustable Tie Top Insulator Adapter	Additional Fittings	Additional Fittings	